

KOMATSU®

PC35MR-3

NET HORSEPOWER

21.4 kW **29 HP**

OPERATING WEIGHT

3595 kg **7,909 lb**

PC
35MR

COMPACT HYDRAULIC
EXCAVATOR



Photo may include optional equipment.

YONGCHUNG GROUP
QUALITY, SIMPLICITY

WALK-AROUND

Performance and Versatility

- Standard auxiliary hydraulics
- Standard thumb mounting bracket
- Three track options: Rubber, steel, roadliner
- Automatic two-speed travel
- ISO/SAE pattern change valve
- Optional Power Angle blade

Service and Maintenance

- Wide opening engine hood and side covers
- Side-by-side radiator and oil cooler are easily inspected
- Grease points for work equipment are on the same side of the boom and arm
- Tilt-forward operator's station provides full access to engine and hydraulic components
- Hydraulic hoses are alpha-numerically marked or color coded making them easy to identify

Operator Comfort

- Large operator platform
- Adjustable suspension seat with retractable seat belt
- Pilot proportional joystick controls
- Easy entry and egress
- Low noise



KOMTRAX equipped machines can send location, SMR and operation maps to a secure website utilizing wireless technology.



NET HORSEPOWER

21.4 kW 29 HP

OPERATING WEIGHT

3595 kg 7,909 lb

DIG DEPTH

3455 mm 11'4"



Value, Durability, and Strength

- KOMTRAX® wireless equipment monitoring system
- High strength X-track frame
- Castings are used for boom foot, tip, and swing yoke
- Large diameter swing pin
- Reinforced arm
- O-ring face seal hydraulic fittings
- Moisture/dust resistant electrical connectors

Peace of Mind

- Two-post ROPS canopy or ROPS cab
- Neutral engine start system
- Excellent visibility enhances job site awareness
- Low emission Komatsu engine with dual element air cleaner
- One key operates the ignition and all machine locks

Photos may include optional equipment.



OPERATOR ENVIRONMENT



Operator Station

- Spacious canopy/cab with unobstructed floor provides the operator with ample leg room
- Folding travel pedals
- Upper rail sliding door (cab models)
- Air conditioning provides a comfortable operating space throughout the year (cab models)
- Two-post ROPS canopy provides unequalled visibility
- Fully adjustable suspension seat reduces operator fatigue
- PPC joystick controls are low effort and provide fine control
- Gauges and indicator lights are easy to read

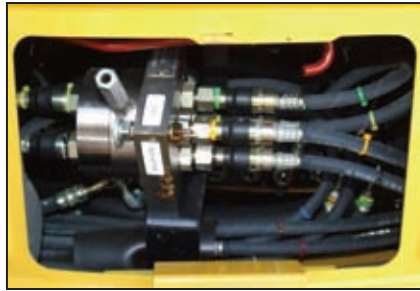


FEATURES



Tight Tail Swing

The operator can focus more on the work in front and worry less about rear swing clearance, even in confined areas with only an 80 mm 3.1" projection over the tracks.



Pattern Change Valve

Whether you are comfortable with ISO or SAE, you can easily change from one to the other.



Excellent Visibility

The operator's station design allows the operator to maintain a 360° field-of-view.



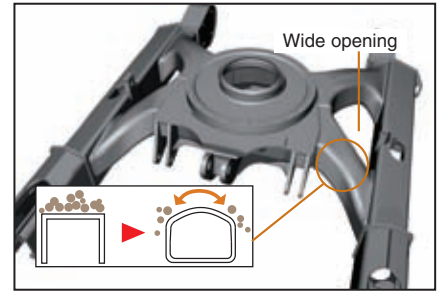
Tilt-Up Operator Compartment

The operator compartment tilts forward for easy access to hydraulic and engine components.



Wide Opening Engine Hood and Side Covers

Allow easy access for daily checks and regular maintenance.



High Strength X-Track Frame

X-track frame is a large hydraulic excavator concept and deters the build-up of dirt and debris, saving the operator valuable time when cleaning the machine.



Neutral Engine Start System

Locks out drives and hydraulics during machine start up.



Manual Selector Valve

Allows the operator to switch between one-way (Breaker) and two-way auxiliary hydraulic flow (Thumb).



Large Diameter Swing Pin

Has high durability and maintains suitable clearances between pin and bushing after long-term operation.

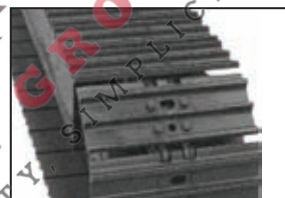
Extended Maintenance Intervals

Lubricate swing circle	500 hrs
Lubricate work equipment	500 hrs
Replace engine oil and filter	500 hrs
Fuel filter	500 hrs
Hydraulic filter	1000 hrs

Three Track Options Available



Rubber



Steel



Roadliner

SPECIFICATIONS



ENGINE

Model Komatsu 3D88E-6
Type Direct injection
Piston displacement 1.64 ltr **100 in³**
Horsepower:
Net (ISO 9249/SAE J1349) 21.4 kW **29 HP** @ 2400 rpm



ELECTRICAL SYSTEM

Operating voltage 12 V
Battery 58 Ah
Alternator 40 A
Starter 2.3 kW



HYDRAULIC SYSTEM

Type HydraMind
Main pump:
Type Variable displacement x 2
Gear x 1
Maximum oil flow 36.1 x 2 + 19.8 ltr/min
9.5 x 2 + 5.2 gal/min
Hydraulic motor:
Travel Variable displacement x 2
Swing Fixed displacement x 1
Maximum pressure setting 265 kg/cm² **3,770 psi**
Auxiliary flow 70 ltr/min **18.5 gal/min**



PERFORMANCE

Travel speed
High 4.8 km/hr **3.0 mph**
Low 2.8 km/hr **1.7 mph**
Swing speed 9.0 rpm
Ground pressure 0.36 kg/cm² **5.1 psi**
Max. drawbar pull 3400 kg **7,500 lb**
Gradeability 30°
Bucket digging force (ISO) 3050 kg **6,725 lb**
Arm crowd force (ISO) 1670 kg **3,682 lb**



DRIVES AND BRAKES

Drive method Hydrostatic
Type of travel brake Hydraulic lock
Type of travel shoe Rubber



UNDERCARRIAGE

Adjustment of the track tension Grease gun
Number of carrier rollers (each side) 1
Number of track rollers (each side) 4



REFILL CAPACITIES

Fuel tank 44 ltr **11.6 U.S. gal**
Hydraulic tank 14 ltr **3.7 U.S. gal**
Engine 6.7 ltr **1.8 U.S. gal**
Coolant 3.3 ltr **0.9 U.S. gal**



OPERATING WEIGHT (APPROXIMATE)

Operating weight
(with ROPS canopy and rubber shoe) 3595 kg **7,909 lb**



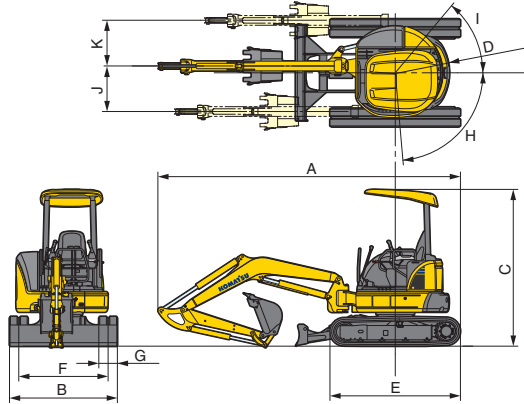
BLADE

Width x height 1740 x 355 mm
5'9" x 1'2"





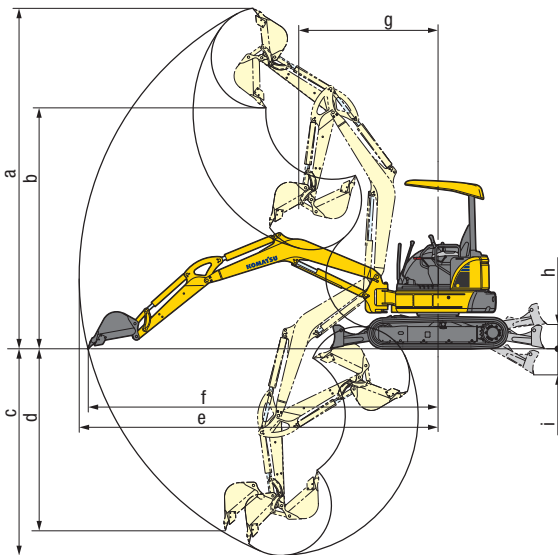
DIMENSIONS



A	Overall length	4905 mm 16'1"
B	Overall width	1740 mm 5'9"
C	Overall height	2520 mm 8'3"
D	Tail swing radius	950 mm 3'1"
E	Crawler length	2105 mm 6'11"
F	Track gauge	1440 mm 4'9"
G	Track shoe width	300 mm 11.8"
H/I	Boom swing angle	Left 75°/Right 50°
J/K	Bucket offset	LH 580 mm/RH 770 mm LH 1'11"/RH 2'6"



WORKING RANGE



a	Maximum digging height	5270 mm 17'3"
b	Maximum dumping height	3790 mm 12'5"
c	Maximum digging depth	3455 mm 11'4"
d	Maximum vertical digging depth	3120 mm 10'3"
e	Maximum digging reach	5640 mm 18'6"
f	Maximum reach-ground level	5520 mm 18'1"
g	Minimum swing radius (With boom swing)	2140 mm 7'0" (1710 mm 5'7")
h	Maximum blade lift	360 mm 1'2"
i	Maximum blade depth	390 mm 1'3"



LIFTING CAPACITY

Blade on ground		2 m 6.5'		3.0 m 10'		4 m 13'		Maximum Reach		Unit: kgf lbf
		Front	Side	Front	Side	Front	Side	Front	Side	
Arm Length 1720 mm 5'7"	3 m 10'	—	—	—	—	595* 1312*	410 904	615* 1356*	340 750	
	2 m 6.5'	—	—	795* 1753*	660 1455	680* 1499*	400 882	640* 1411*	285 628	
	1 m 3.25'	—	—	1165* 2568*	610 1345	815* 1797*	380 838	675* 1488*	265 584	
	0 m 0'	2735* 6030*	1085 2392	1390* 3064*	575 1266	910* 2006*	365 805	720* 1587*	275 606	
	-1 m -3.25'	2470* 5445*	1090 2403	1370* 3020*	565 1246	880* 1940*	360 794	770* 1698*	320 705	

*Load is limited by hydraulic capacity rather than tipping. Rated loads do not exceed 87% of hydraulic capacity or 75% of tipping load.



STANDARD EQUIPMENT

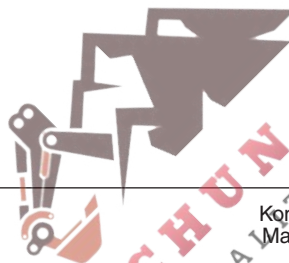
- Air cleaner, dual element
- Automatic two-speed travel control
- Auxiliary hydraulics with selector valve
- Backfill blade
- KOMTRAX®
- Pattern change valve
- Rearview mirrors
- Rubber track
- Suspension seat with 50 mm 2" wide retractable seat belt
- Travel alarm
- Travel pedals
- Two-post ROPS canopy



OPTIONAL EQUIPMENT

- 76 mm 3" retractable seat belt
- Additional work light (cab or canopy)
- Cab with air conditioner, radio ready, and 12 V outlet
- Power angle blade
- Road liner track
- Steel track
- Wide variety of attachments

KOMATSU®



YONGCHUN GROUP
QUALITY, SIMPLICITY